

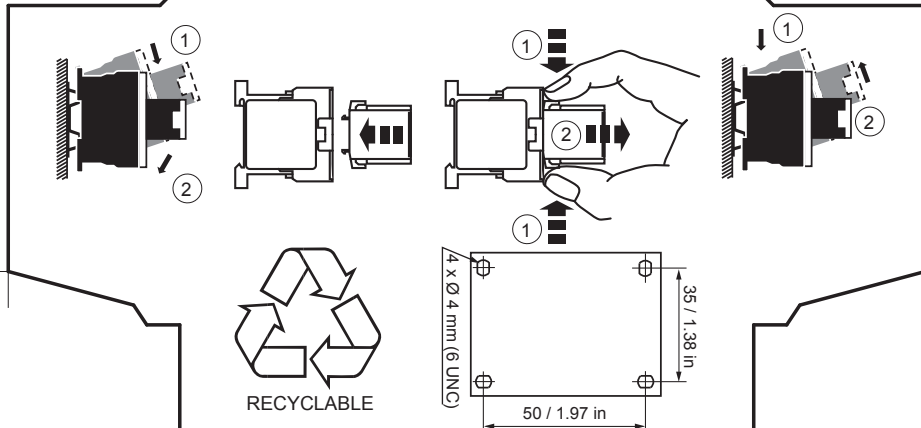
www.schneider-electric.com
W9 1378085 0511 A06
10 - 2012

HAZARD OF ELECTRIC SHOCK, EXPLOSION, OR ARC FLASH
AAA DANGER / 危险
Disconnect all power before servicing equipment. Failure to follow these instructions will result in death or serious injury.
可能有触电、爆炸或者电弧灼伤的危险。在此电力设备上进行操作时，请先断开所有电源。不遵守上述规定将可能导致人员伤亡。
For Motor Starting Use Schneider Electric Overload Relay Series LR. 电动机启动请使用施耐德电气LR系列过载继电器。

Philips N 2		Ø6								
mm	mm ²	mm ²	mm ²	mm ²	mm ²	mm	C	L	Ø	
1 x 6,35	0,34	0,34... 2,5	0,75	0,75... 4	1,5	1,5... 4	7	1.3	7	3
2 x 2,8	·	·	·	·	·	·				
	2,5	0,34... 1,5	4	0,75... 4	4	1,5... 4				

AWG: 1 x 18 min, 2 x 14 or 1 x 12 max
规格: 1 x 18最小值, 2 x 14或1 x 12最大值
Torque 1.3 N.m (12 lb-in) max
扭矩: 1.3 N.m(12lb-in)最大值

3P AC TeSys K contactors are grade 2 according to GB 21518.
Maximum power consumption lower than 5.0 VA.
根据GB 21518标准, 三级 TeSys K系列交流接触器能效等级为2级, 产品最大吸持功率低于5.0 VA



WARNING / 警告
RISK OF FIRE OR ELECTRIC SHOCK (FOR CONTACTOR WITH UL HI-FAULT SHORT CIRCUIT CURRENT RATINGS ONLY)
The opening of the branch-circuit protective device may be an indication that a fault current has been interrupted.
To reduce the risk of fire or electric shock, current-carrying parts and the other components of the controller should be examined and replaced if damaged.
Failure to follow these instructions can result in death, serious injury, or equipment damage.
可能有火灾或者触电的危险 (仅限 UL 高故障短路电流额定值的接触器)。支路保护设备断开, 表明故障电流已被中断。为降低火灾或触电风险, 应检查带电部件和其它控制元件, 如有损坏, 需及时更换。不遵循上述规定将可能导致人员伤亡或设备损坏。

